

SBC RS 3012

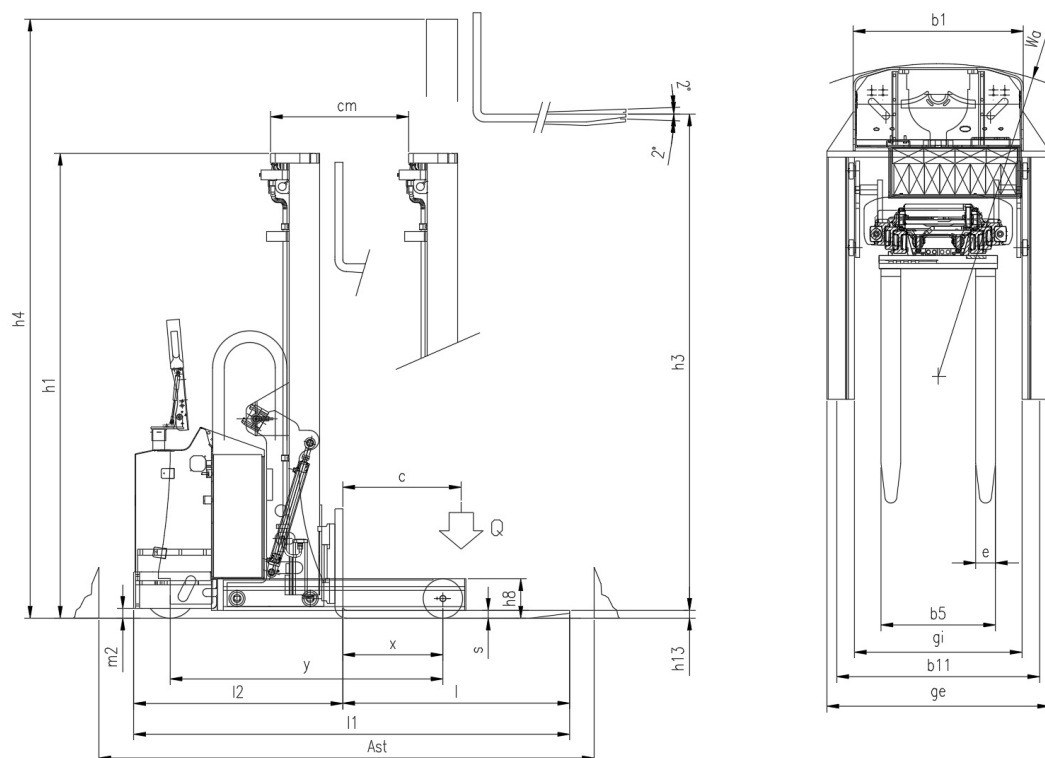
CS Italia s.r.l.



Optional su richiesta info@carrellispeciali.it 

SBC RS 3012

CS Italia s.r.l.



Illustrazioni e dati tecnici non sono impegnativi. Il costruttore si riserva il diritto di apportare modifiche senza preavviso.

Tipologia SBC RS 3012

Categoria Retrattili

General info	1.1	Manufacturer			CSI s.r.l.
	1.2	Model			SBC RS 3012
	1.3	Drive			elettrico AC
	1.4	Operator type			a timone
	1.5	Load capacity	Q	t	1.2
	1.6	Load centre	c	mm	600
	1.8	Load distance to wheel axle	x	mm	505
	1.9	Wheelbase	y	mm	1385
	Weights				
	2.1	Truck weight without battery		Kg	2020
Wheels and chassis					
	3.1	Wheels			Poliuretano
	3.2	Wheels size front		mm	254x100
	3.3	Wheels size rear		mm	200x80
	3.5	Number of rear/front wheels (x = Traction wheel)			1x/2
	3.7	Rear wheelbase	b11	mm	1030
	3.9	Overall width legs	ge	mm	1130
	3.10	Inside width legs	gi	mm	850
Dimensions					
	4.1	Tilt		°	-1/+2
	4.2	Height mast lowered	h1	mm	2230
	4.4	Lift height	h3	mm	2950
	4.5	Height mast extended	h4	mm	3460
	4.10	Mast raise	cm	mm	700
	4.15	Height forks lowered	h13	mm	40
	4.19	Overall length	l1	mm	2210
	4.20	Length to face of forks	l2	mm	1060
	4.21	Overall width	b1	mm	1130
	4.22	Forks dimensions	s/e/l	mm	35/100/1200
	4.23	Carriage forks			FEM 2A
	4.25	Overall forks width size	b5	mm	200-620
	4.31	Ground clearance		mm	40
	4.32	Distanza da piano di lavoro a inizio forca	m2	mm	40
	4.34	Aisle width	ast	mm	2595
	4.35	Turning radius	wa	mm	1590
Performance					
	5.1	Travel speed with/without load		Km/h	5/6
	5.2	Lifting speed with/without load		m/s	0,11/0,33
	5.3	Lowering speed with/without load		m/s	0,5/0,2
	5.8	Maximum gradeability with/without load		%	1/3
	5.10	Service brake			elettrico
Motor					
	6.1	Traction motor S2 60 min.		Kw	2.5
	6.2	Lift motor S3		Kw	3
	6.3	Battery			Piombo acido
	6.4	Battery - voltage and nominal capacity		V/Ah	24V /250Ah
	6.5	Battery weight		Kg	220
	Dim. batteria	Battery size		mm	650/245/610h
Other					
	8.1	Traction control			proporzionale
	8.4	Noise level driver place			<70

