

M INOX 1408

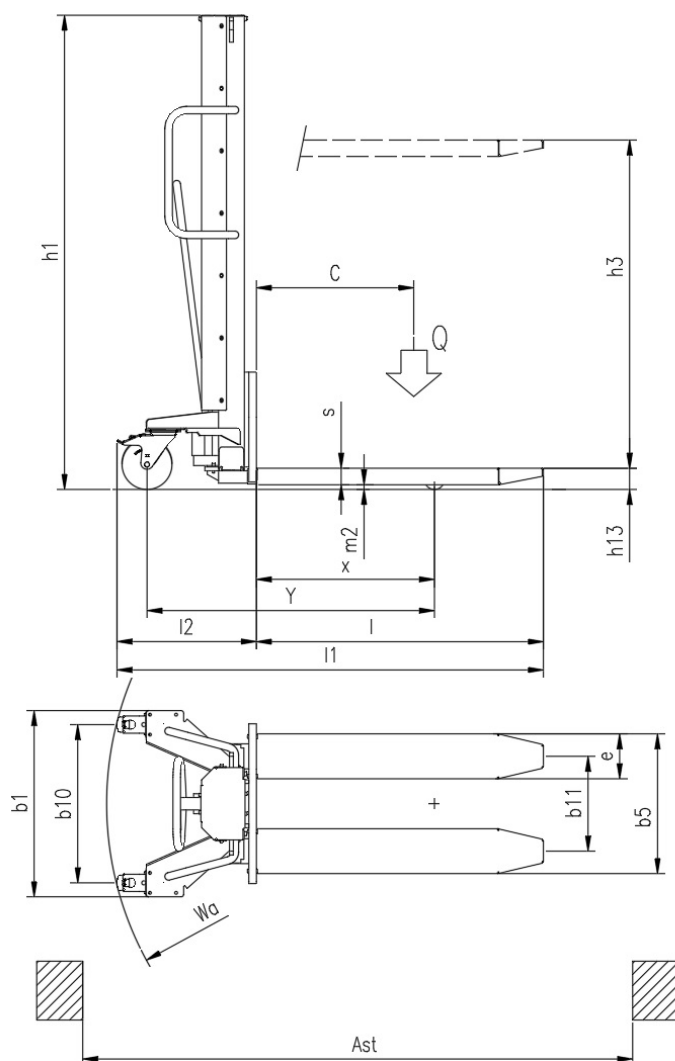
CS Italia s.r.l.



Optional su richiesta info@carrellispeciali.it 

M INOX 1408

CS Italia s.r.l.



Illustrazioni e dati tecnici non sono impegnativi. Il costruttore si riserva il diritto di apportare modifiche senza preavviso.

Tipologia M INOX 1408

Categoria Acciaio Inox

General info	1.1	Manufacturer			CSI s.r.l.
	1.2	Model			M INOX 1408
	1.3	Drive			manuale
	1.4	Operator type			a timone
	1.5	Load capacity	Q	t	0.8
	1.6	Load centre	c	mm	600
	1.8	Load distance to wheel axle	x	mm	715
	1.9	Wheelbase	y	mm	1150
	Weights				
	2.1	Truck weight without battery		Kg	670
Wheels and chassis					
	3.1	Wheels			Poliuretano
	3.2	Wheels size front		mm	200x50
	3.3	Wheels size rear		mm	80x80
	3.5	Number of rear/front wheels (x = Traction wheel)			1+1/1+1
	3.6	Front wheelbase	b10	mm	600
	3.7	Rear wheelbase	b11	mm	380
Dimensions					
	4.2	Height mast lowered	h1	mm	1900
	4.4	Lift height	h3	mm	1314
	4.15	Height forks lowered	h13	mm	85
	4.19	Overall length	l1	mm	1708
	4.20	Length to face of forks	l2	mm	558
	4.21	Overall width	b1	mm	750
	4.22	Forks dimensions	s/e/l	mm	65/180/1150
	4.25	Overall forks width size	b5	mm	560
	4.31	Ground clearance		mm	20
	4.32	Distanza da piano di lavoro a inizio forca	m2	mm	20
	4.34	Aisle width	ast	mm	1960
	4.35	Turning radius	wa	mm	1315